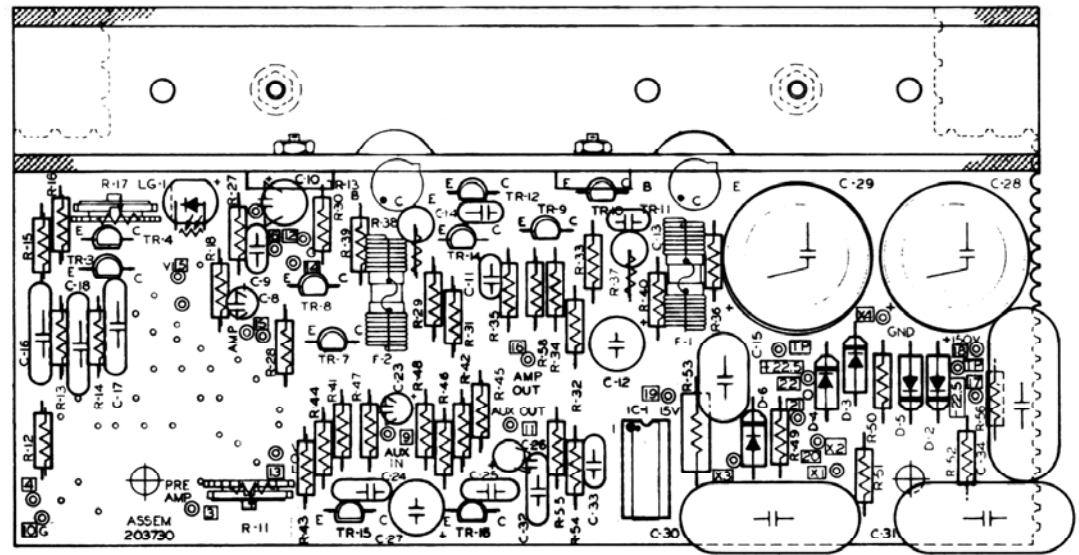
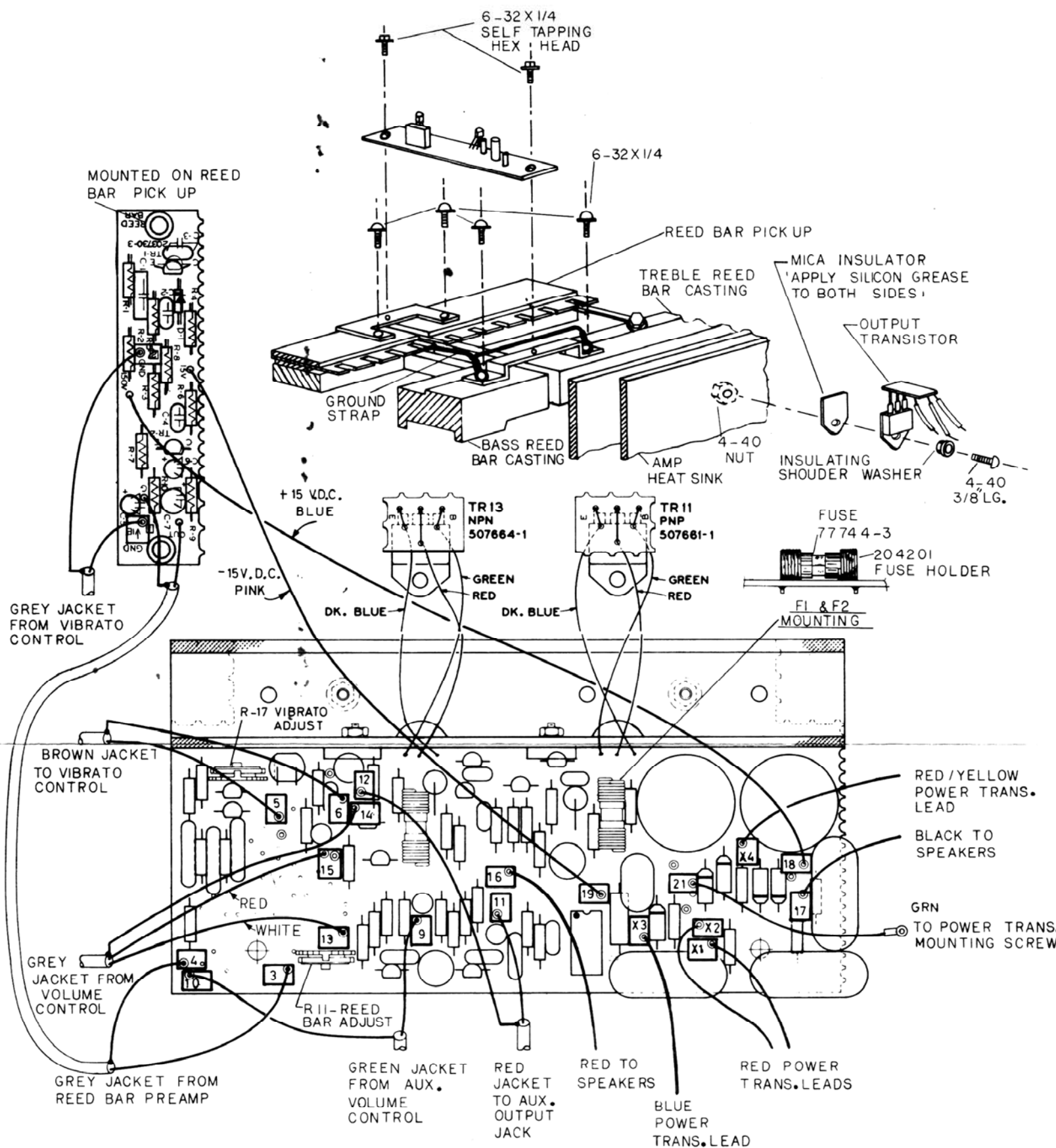


[CLICK HERE](#) to buy Wurlitzer transistors from [BustedGear](#)

MODEL 200A ELECTRONIC PIANO SCHEMATIC
 NOTE: LATE PRODUCTION AUX. OUTPUT CIRCUIT STARTING SERIAL NO. 102905
 SCHEMATIC # 203720-S-3
 THE WURLITZER CO. DEKALB ILL.

- | | | |
|------------------------|--------------------|------------------------|
| TR-11-203735-PNP | TR-11-507661-I-PNP | TR 1,2,5,6,15-142083-3 |
| TR-13-203734-NPN | TR-13-507664-I-PNP | TR 3,4 -142083-2 |
| (ALTERNATE CASE STYLE) | | TR 7,8 -142083-1 |
| | | TR 9 -137159-1 |
| | | TR 10,14,16 -203719 |
| | | TR 12 -203718 |



MODEL 200A ELECTRONIC PIANO
AMPLIFIER P.C. BOARD ASSEMBLY
PART NO. 203730-S1-E6
EARLY PRODUCTION