

Service Manual

AD50VT

CONTENTS

Circuit Diagram: Page 2-3

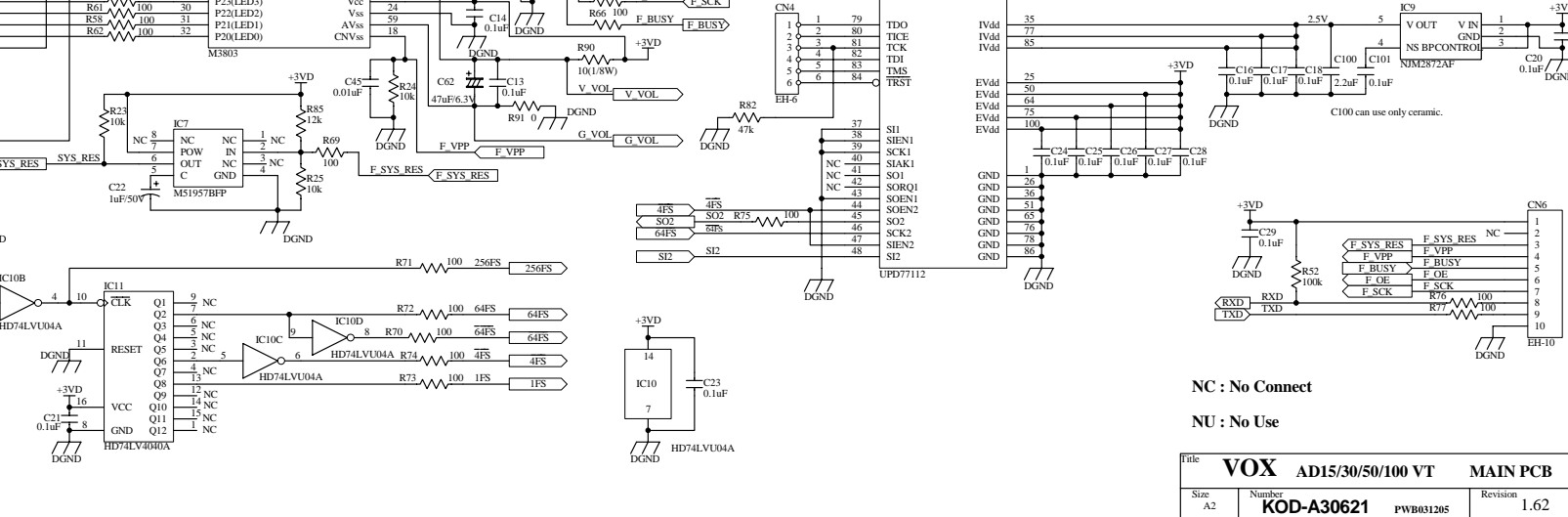
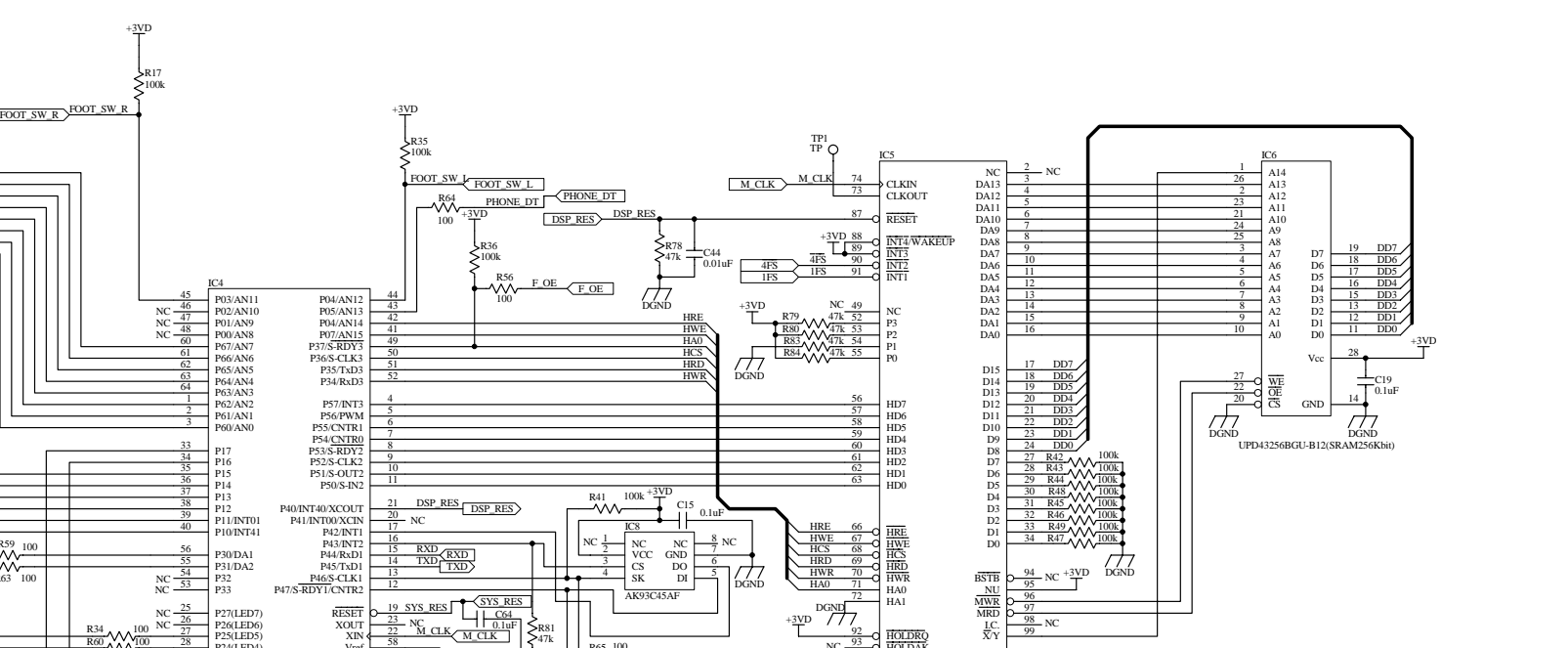
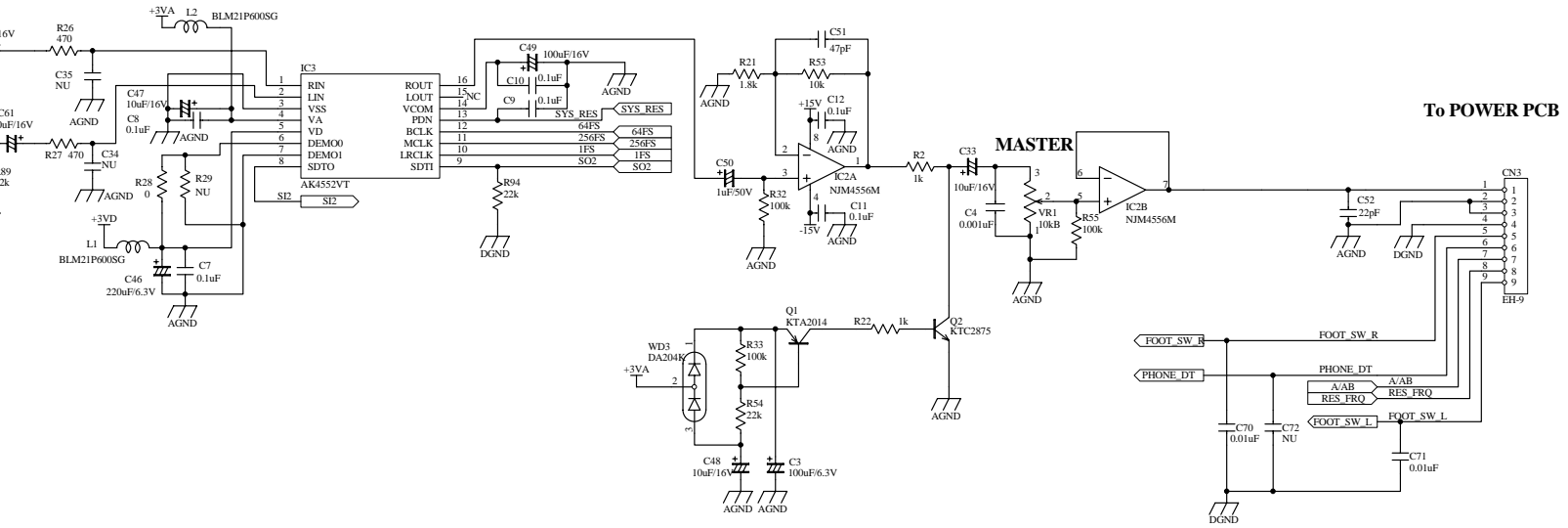
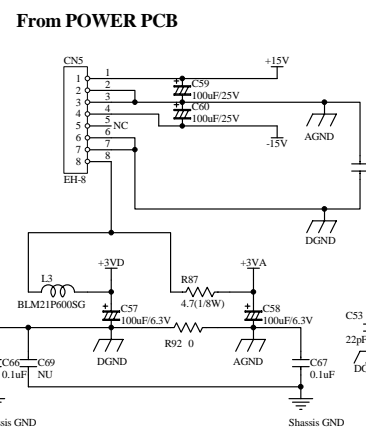
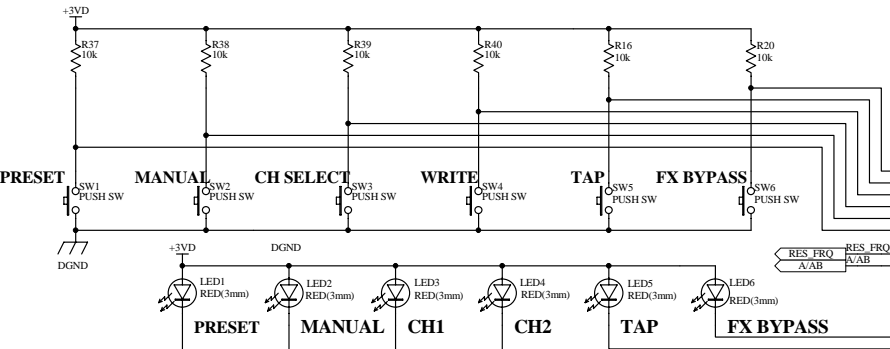
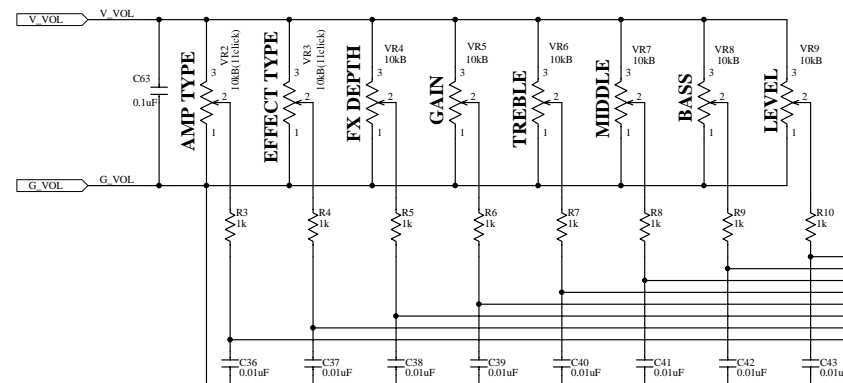
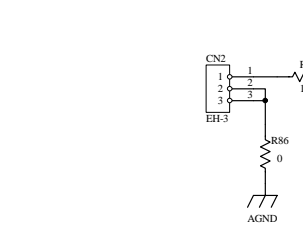
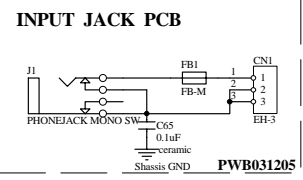
Block Biagram : Page 4-5

Parts List: Page: Page 6-8

1st Edition

Issued date: March 1st, 2005

Issued by: KORG INC.



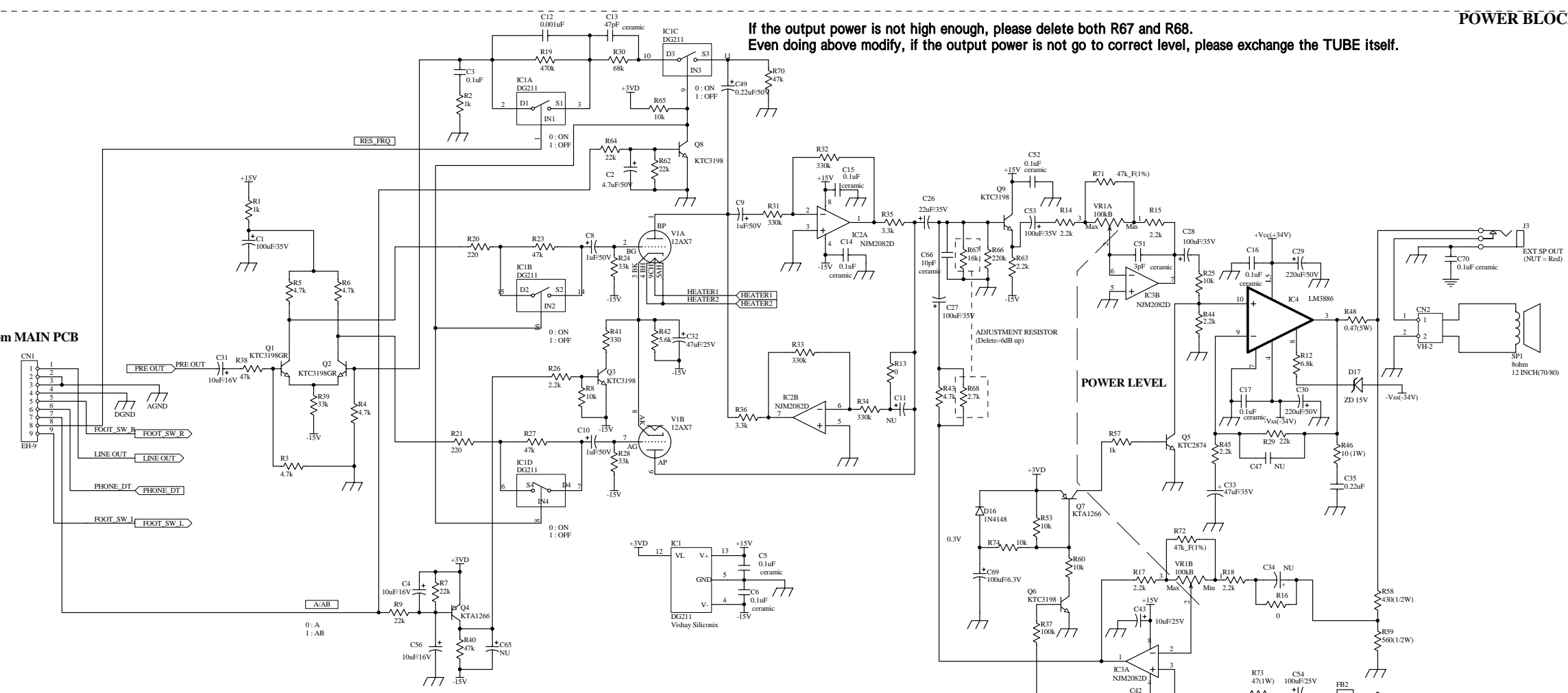
NC : No Connect
 NU : No Use

File:	VOX AD15/30/50/100 VT	MAIN PCB
Size:	A2	Number
Date:	2004.09.14	Revision
		Sheet of

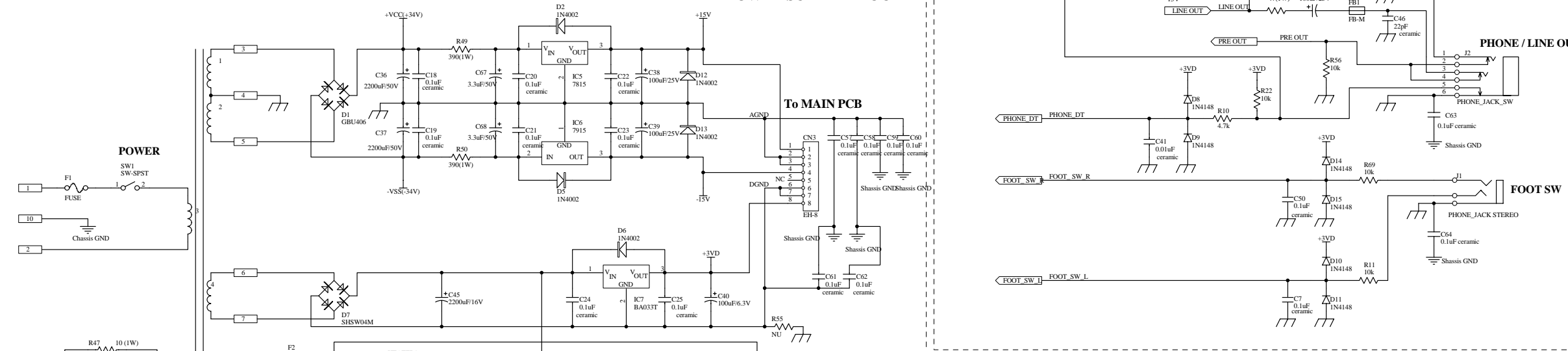
POWER BLOCK

If the output power is not high enough, please delete both R67 and R68.
Even doing above modify, if the output power is not go to correct level, please exchange the TUBE itself.

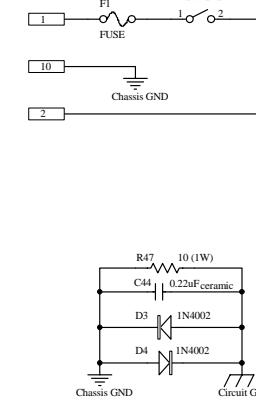
From MAIN PCB



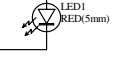
POWER SUPPLY BLOCK



POWER

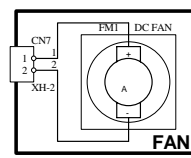


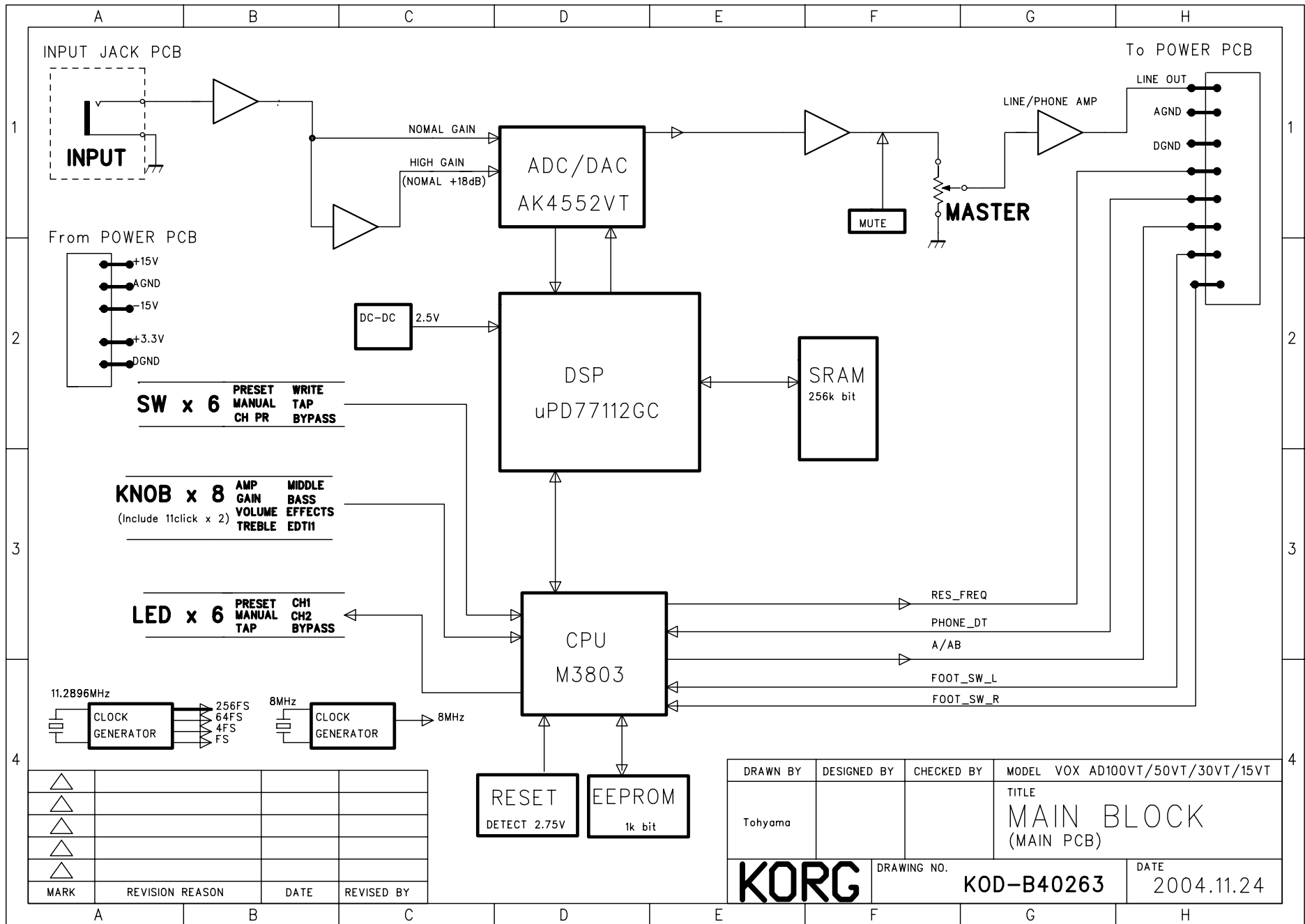
POWER



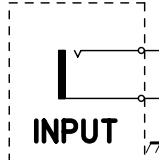
NC : No Connect
NU : No Use

Title			
VOX AD50VT POWER PCB			
Size	Number	Revision	
A2	KOD-A30619	PWB040428	0.62
Date	2004.11.9		Sheet of 2/2

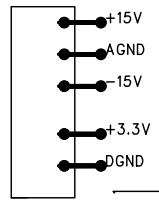




INPUT JACK PCB



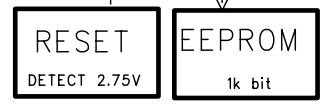
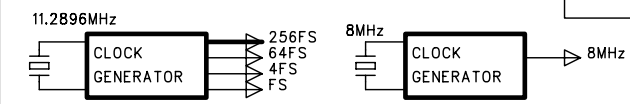
From POWER PCB



SW x 6 PRESET MANUAL CH PR WRITE TAP BYPASS

KNOB x 8 AMP GAIN MIDDLE BASS VOLUME EFFECTS TREBLE EDTH (Include 11click x 2)

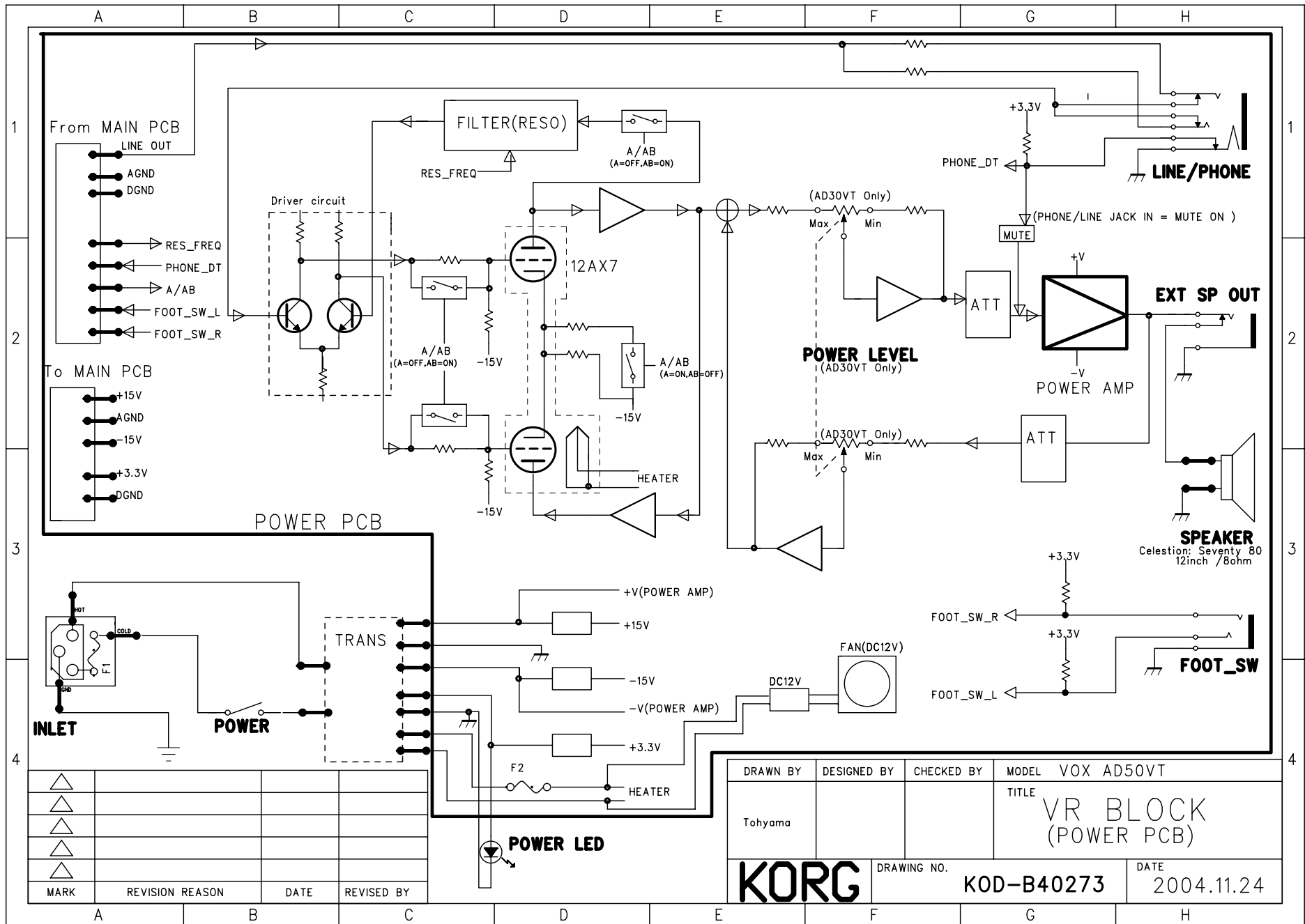
LED x 6 PRESET MANUAL TAP CH1 CH2 BYPASS



DRAWN BY	DESIGNED BY	CHECKED BY	MODEL VOX AD100VT/50VT/30VT/15VT
			TITLE
Tohyama			MAIN BLOCK (MAIN PCB)

KORG	DRAWING NO.	DATE
	KOD-B40263	2004.11.24

△			
△			
△			
△			
△			
MARK	REVISION REASON	DATE	REVISED BY



MARK	REVISION REASON	DATE	REVISED BY
△			
△			
△			
△			

DRAWN BY	DESIGNED BY	CHECKED BY	MODEL VOX AD50VT
			TITLE
			VR BLOCK (POWER PCB)
KORG		DRAWING NO.	DATE
		KOD-B40273	2004.11.24

PART CODE	PART NAME	NOTE	Q'TY
600006503	AC CORD DC-627-J01	M.PART 100V	1
*12AX7EH	TUBE 12AX7EH	M.PART	1
*V903010000	TR NPN KTC3198-GR	PWB040428-1	6
*V903010001	TR PNP KTA1266-GR	PWB040428-1	2
*V903010017	TRANSISTER KTA2014	PWB031205-3	1
*V903010019	TRANSISTER KTC2874B	PWB040428-1	1
*V903010020	TRANSISTER KTC2875B	PWB031205-3	1
*V903111000	SILICON RECTIFIRE DIODE 1N4002	PWB040428-1	9
*V903111002	SILICON SWITCHING DIODE 1N4148	PWB040428-1	7
*V903111010	ZENER DIODE B15V 0.5W 1N5245	PWB040428-1	1
*V903111012	DOUBLE DIODE DA204K	PWB031205-3	2
*V903111013	BRIDGE RECTIFIER DIODE W04M	PWB040428-1	1
*V903111015	BRIDGE DIODE KBU4K	PWB040428-1	1
*V903120006	LED RED 3MM DLL-B5131Q-Y	PWB031205-3	6
*V903120008	LED DLL-50231 5MM	PWB040428-1	1
*V903200013	IC DP AMP NJM4556	PWB031205-3	1
*V903200019	IC OP AMP NJM2068M	PWB031205-3	1
*V903200023	IC SRAM HY62WT08081E	PWB031205-3	1
*V903200024	IC RESET KIA7125FV	PWB031205-3	1
*V903200025	IC EEPROM AK93C45AF	PWB031205-3	1
*V903200026	IC DC/DC CON NJM2872AF	PWB031205-3	1
*V903200027	IC INVERTER 74LVU04DB	PWB031205-3	1
*V903200028	IC BINARY COUNTER 74LV4040A	PWB031205-3	1
*V903200029	IC OP AMP NJM2082D	PWB040428-1	2
*V903200031	IC REGULATOR KA7815TU	PWB040428-1	1
*V903200032	IC REGULATOR KA7915TU	PWB040428-1	1
*V903200033	IC REGULATOR BA033T	PWB040428-1	1
*V903200034	IC POWER LM3886T	PWB040428-1	1
*V903300009	FUSE CLIP 0751-0110	PWB040428-1	2
*V903300012	FUSE TIMELAG 250V T1AL	PWB040428-1	1
*V903300016	FUSE 250V T1.25AL	M.PART 240V	1
*V903300016	FUSE 250V T1.25AL	M.PART 230V	1
*V903300019	FUSE 250V T2.0AL	M.PART 120V	1
*V903300019	FUSE 250V T2.0AL	M.PART 100V	1
*V903350001	CRYSTAL 8MHZ	PWB031205-3	1
*V903350002	CRYSTAL 11.2896MHZ	PWB031205-3	1
*V903620015	POTENTIOMETER RV160-40-15S-B10K-CO	PWB031205-3	7
*V903620016	POTENTIOMETER RV160-40-15S-B10K-C11 (11CLIC	PWB031205-3	2
*V903620017	POTENTIOMETER RS162-20-15SP-B100K STEREO	PWB040428-1	1
*V904020001	AXIAL BEED CORE	PWB040428-1	2
*V904020001	AXIAL BEED CORE	PWB031205-3	1
*V904020003	CHIP INDUCTOR HH-1M2012-600	PWB031205-3	3
*V904050028	POWER TRANS 100V=076-ADJ	M.PART 100V	1
*V904050029	POWER TRANS 120V=076-ADU	M.PART 120V	1
*V904050030	POWER TRANS 230V=076-ADE	M.PART 230V	1
*V904050031	POWER TRANS 240V=076-ADEF	M.PART 240V	1
*V904100105	SPEAKER CELESTION 12INCH 8OHM	M.PART	1
*V904530005	ANALOG SW DG211	PWB040428-1	1
*V904530015	TACT SW ATS-1230B(K=9.5MM)	PWB031205-3	6
*V904530016	POWER SWITCH APS-1101H	M.PART 120V	1
*V904530017	POWER SWITCH APS-1101HV0	M.PART 230V	1
*V904530017	POWER SWITCH APS-1101HV0	M.PART 100V	1
*V904530017	POWER SWITCH APS-1101HV0	M.PART 240V	1

PART CODE	PART NAME	NOTE	Q'TY
*V904540014	PHONE JACK MONO APJ-8P-M	PWB040428-1	1
*V904540014	PHONE JACK MONO APJ-8P-M	PWB031205-3	1
*V904540015	PHONE JACK (STEREO) APJ-8P-S	PWB040428-1	2
*V904700000	AC CONNECTOR SC-8F-21	M.PART	1
*V904700001	DC FAN KF0510S1H	PWB040428-1	1
*V904700002	2P WAFER MOLEX 5051	PWB040428-1	1
*V904752014	FLAT WIRE UL1007 AWG26 300MM WHT/BK 2P	PWB040428-1	1
*V904752015	9P FLAT WIRE 170MM WHT/BLK	PWB040428-1	1
*V904752016	8P FLAT WIRE 230MM WHT/BLK	PWB040428-1	1
*V904753011	T205/250 WIRE UL1617 AWG22 BK 150MM	M.PART	1
*V904753012	SHIELD WIRE UL2547 AWG26 GRY 115MM	PWB031205-3	1
*V904753013	LEAD WIRE UL1015 AWG22 150MM WHT	PWB040428-1	1
*V904753014	LEAD WIRE 205T UL1015 AWG22 400MM WHT	PWB040428-1	1
*V904753016	205T LEAD WIRE 400MM BLK	PWB040428-1	1
*V904753017	T205/RING WIRE 150MM YLW/GRN	M.PART	1
*V904753018	T250/RING WIRE 200MM YLW/GRN	M.PART	1
*V904754002	EARTH RING TERMINAL AD15/30	PWB040428-1	3
*V904754002	EARTH RING TERMINAL AD15/30	PWB031205-3	1
*V904754004	PVC TUBE PHI 3.5 150MM	PWB040428-1	1
*V904754005	HEAT TUBE 20MM (6 PHI)	PWB040428-1	3
*V904754007	HEAT TUBE 26MM (6 PHI)	PWB040428-1	4
*V904755001	WAFER GIL-S-3P-S2TS ANGLE	PWB031205-3	1
*V905000001	TUBE SOCKET VT9-PT-2	PWB040428-1	1
*V906000104	AC POWER CORD KKP-30 SVT(120V)	M.PART 120V	1
*V906000105	AC POWER CORD KKP-4819R(230V)	M.PART 230V	1
*V906000106	AC POWER CORD KKP650(230UK)	M.PART 230V U	1
*V906000107	AC POWER CORD KKP550(240AU)	M.PART 240V	1
*V906400001	HANDLE BAR	M.PART	1
*V906400002	HANDLE EDGE	M.PART	2
*V906400003	KNOB (CHICKEN HEAD)	M.PART	8
*V906400009	PLASTIC CORNER	M.PART	8
*V906400017	ROUND KNOB	M.PART	2
*V906400018	VENT GRILL	M.PART	3
*V906400021	TACT KNOB CIRCLE AD15/30	M.PART	6
*V906400022	VOX BRAND MARK (LARGE) SILVER AD15/30	M.PART	1
*V906400023	VALVETRONIX EMBLEM SILVER AD15/30	M.PART	1
*V906410008	WOODEN CABINET ASSY AD50VT	M.PART	1
*V906420001	RUBBER FOOT	M.PART	4
*V906430017	TUBE COVER	M.PART	1
*V906430018	RUBBER BUSHING PHI 12	M.PART	1
*V906430031	PCB BRACKET AD120VT	PWB040428-1	2
*V906430057	LED BUSHING PHI 5	M.PART	1
*V906430059	INSULATE BUSHING TO220 AD15	M.PART	1
*V906430060	LED SUPPORT 10MM AD15	PWB031205-3	6
*V906430072	AD50VT MAIN CHASSIS	M.PART	1
*V906430073	AD50VT FRONT PANEL	M.PART	1
*V906430074	AD50VT REAR PANEL 100V	M.PART 100V	1
*V906430075	AD50VT REAR PANEL 120V	M.PART 120V	1
*V906430076	AD50VT REAR PANEL 230V	M.PART 230V	1
*V906430077	AD50VT REAR PANEL 240V	M.PART 240V	1
*V906430078	PCB SUPPORT 15MM	M.PART	4
*V906430079	INSULATE SPACER MICA TO3PN	M.PART	1
*V906430080	AD50VT HEAT SINK SUPPORT	M.PART	4

PART CODE	PART NAME	NOTE	Q'TY
*V906430081	AD50VT GRILL SUPPORT	M.PART	10
*V906440029	RUBBER SPONGE 15X10X1T	M.PART	6
*V906440034	AD50VT HEAT SINK 80X72	M.PART	1
*V906440035	RUBBER SPONGE 32X15X2T	M.PART	2
*V906440036	AD50VT SPEAKER GRILL	M.PART	1
*V906440037	RUBBER SPONGE 7X7X6T	M.PART	12
*V906440038	RUBBER SPONGE 50X5X2T	M.PART	3
*V906460001	FLANGE NUT M4	M.PART	6
*V906460006	TOOS WASHER PHI PHI 4 INTERNAL	M.PART	6
*V906460007	SPRING WASHER PHI 3	M.PART	6
*V909000026	PCB ASSY PWB031205 AD15/30VT	M.PART	1
*V909000030	AD50VT CHASSIS ASSY	M.PART	1
*V909000032	AD50 ASSEMBLY POWER PCB	M.PART	1