

A B C D E F

1

1

2

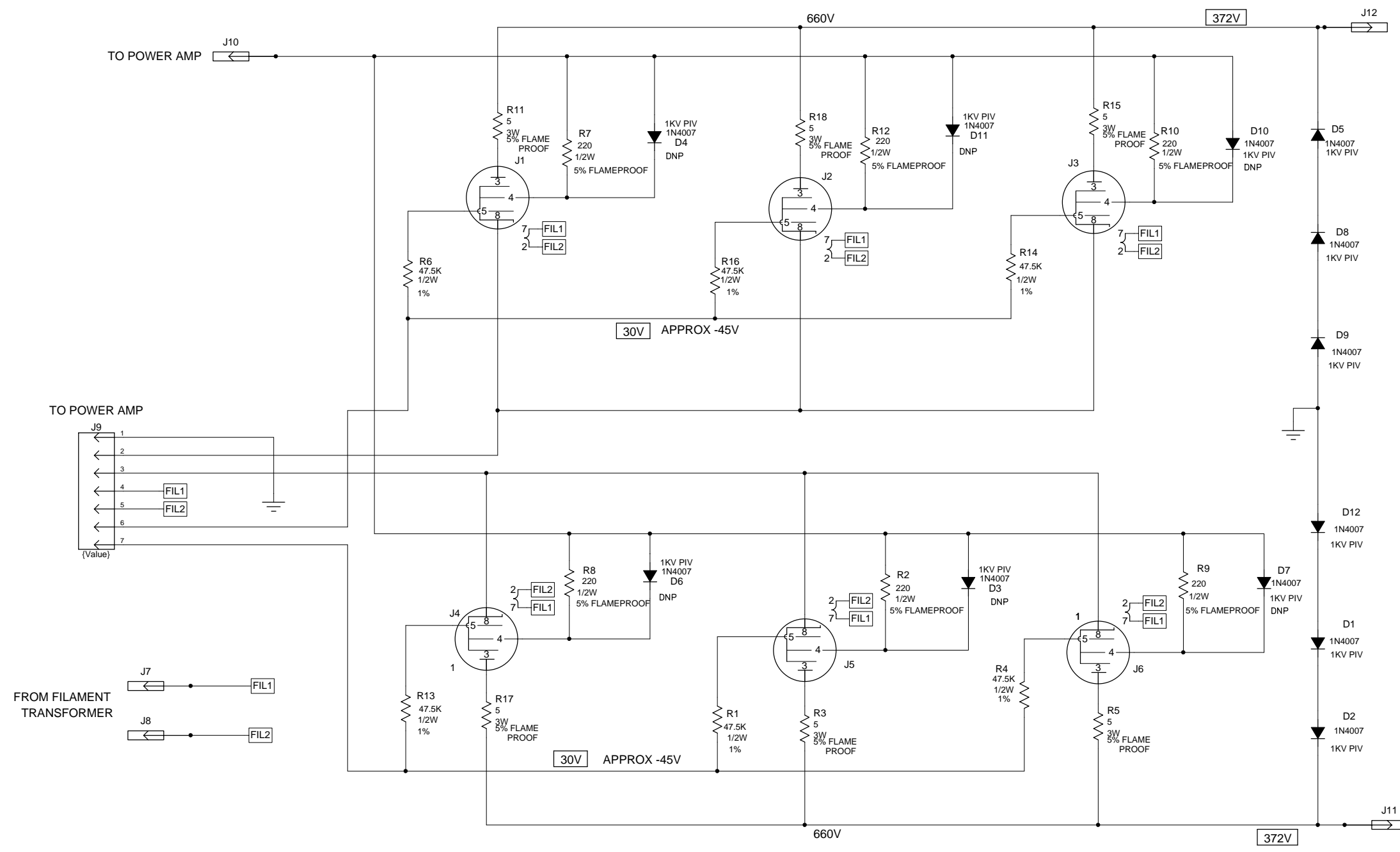
2

3

3

4

4



ASSY PART # 07-365-01

NOTE: D, 3, 4, 6, 7, 10, 11 ARE NOT USED AS INDICATED BY Do Not Place 'DNP'.

CAUTION:
THIS SCHEMATIC IS PROVIDED FOR USE BY QUALIFIED PERSONNEL. TO AVOID RISK OF ELECTRIC SHOCK, REFER SERVICING TO QUALIFIED SERVICE PERSONNEL. DO NOT PERFORM ANY SERVICING BEYOND THAT EXPLAINED IN THE OPERATING INSTRUCTIONS.

NOTES:
1) CAUTION: SHOCK HAZARD!! THIS UNIT CONTAINS HAZARDOUS VOLTAGE. DISCONNECT POWER AND BE SURE POWER SUPPLY IS DISCHARGED BEFORE TOUCHING INTERNAL PARTS.
2) UNLESS NOTED, RESISTOR VALUES IN OHMS, 1/4W-5% TOL. CAPACITOR VALUES IN MICROFARADS, 50V-10% TOL.
3) VOLTAGES ARE MEASURED WITH 1 MEGOHM OSCILLOSCOPE AND 10 MEGOHM DIGITAL VOLTMETER.

0	3/13/06	CONTROL ISSUE				
REV	Date	DESCRIPTION	Ecr(s)/Ecn(s)	Chgd By	Appvd by	Date
THE INFORMATION CONTAINED ON THIS DRAWING IS PROPRIETARY TO ST. LOUIS MUSIC, INC.						
Signatures:			Date:		 11880 Borman Drive, St. Louis, MO 63146	
Drawn: GM		08/17/05				
Checked:			Released:		First Used On:	
Plot Date: Thu Apr 20, 2006		Drawing Size: C		Drawing Title: SCHEMATIC - TUBE BD		
Plot Time: 14:10:56		Drawing Type: Schematic		Drawing Number: 07S365		
Tolerance:		Class Code: NONE		Sheet 1 of 1		

A B C D E F 06A365-01